



## General

Building year:	1972
Port of registry:	Tallinn
IMO nr:	8989953
MMSI nr:	276865000
Call sign:	ESLW
Classification:	+1A1 R 280 TUG ICE 50, FIFI 1 – Water spraying, Anchor handling, Navigation area A2, AUT-UMS
Regulations	Estonian Transport Administration
Flag:	Estonia (EE)
Owner:	Nordic Tug Services

## Dimensions

Length overall	22.48 m
Beam overall	6.70 m
Depth molded	3.35 m
Max draught	2.80 m
Deadweight	227 t
Gross Tonnage	100 GT
Clear deck area	40 m <sup>2</sup>
Total cargo on deck	14 t

## Propulsion System

Main engine	Deutz SBA12M 528
Total Power	1298 kW
Propulsion	2000 mm CPP in kort nozzle
Bow thruster	(169 kW) Hydraulically driven

## Accommodation

Heated and ventilated living spaces for 6 persons, consisting of a captain's cabin and one single officers cabin with each one extra bunk, two double crew cabins. A galley, messroom and sanitary facilities are provided.

## Performance

Bollard Pull avg.	20 t
Speed avg.	10kn

## Tank capacities

Fuel oil	42.0 m <sup>3</sup>
Fresh water	12.0 m <sup>3</sup>
Sewage water	10.0 m <sup>3</sup>
Bilge water	3.5 m <sup>3</sup>

## Auxiliary Systems

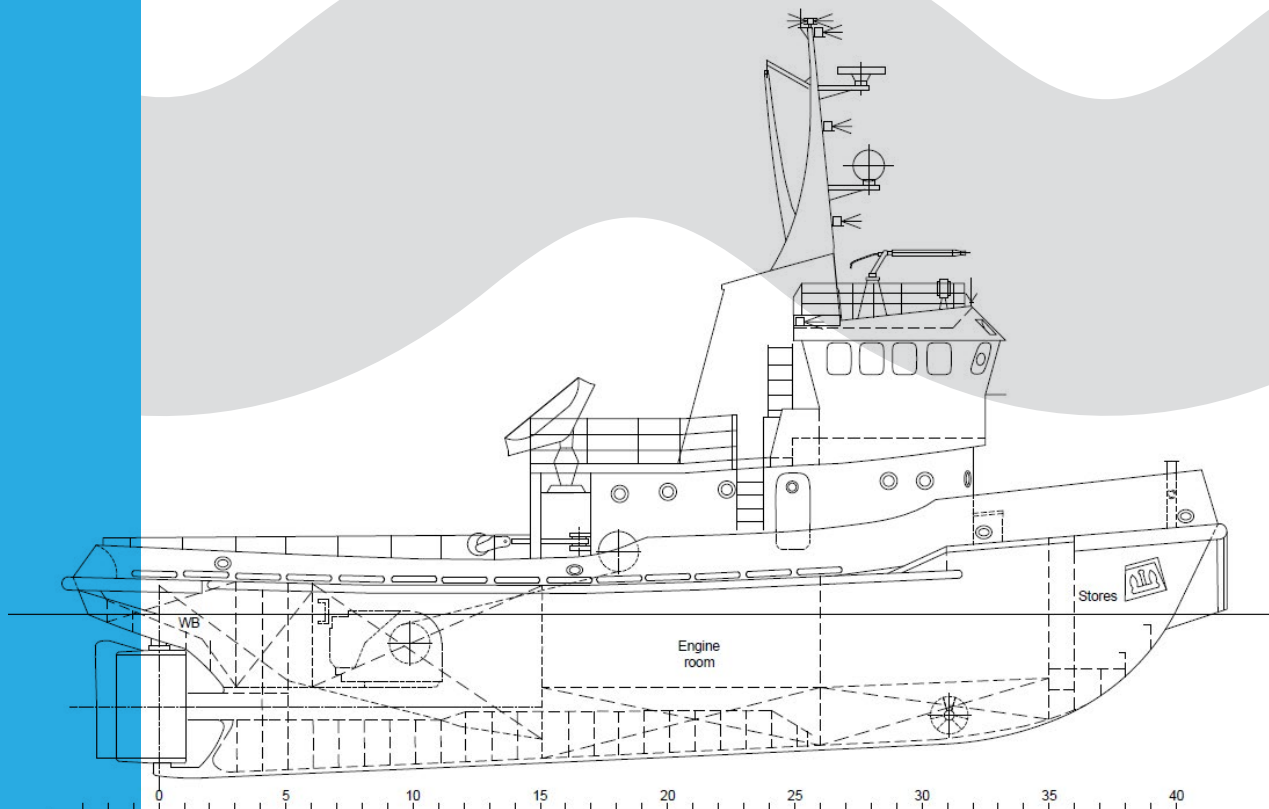
Generator sets	2x 85 kVa John Deere
Compressor	2x Ingersoll Rand, 30L tanks@22 bar

# Deck Lay-Out

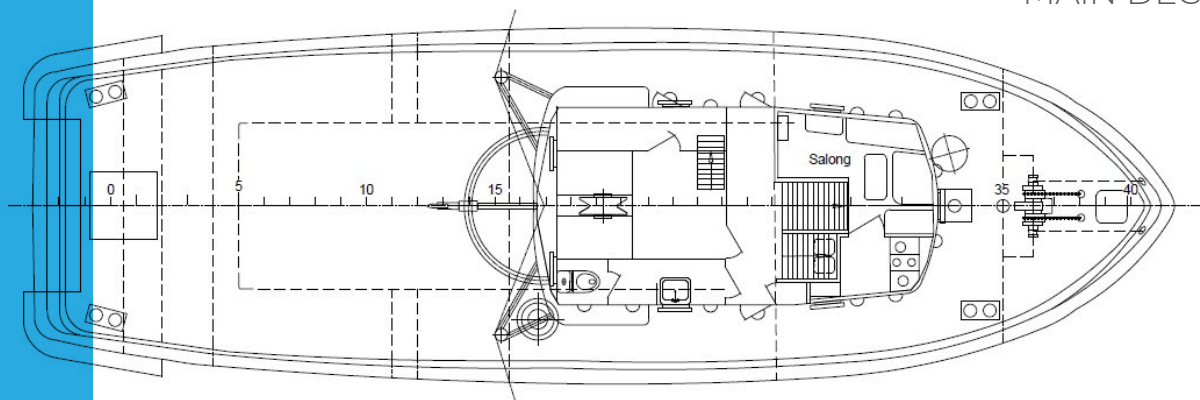
Anchor	2x 225kg HHP
Chain	2x 200m ,17,5 mm stud-link
Anchor winch	Hydraulik-Brattvaag MA-3
Deck crane	Palfinger PK 12080 (M) 520kg@13m, 2800kg@3,5m
Deck crane winch	900kg, 30 m drum wire capacity
Towing / Anchor handling winch	Hydraulik-Brattvaag MA8/W8
Tugger winch	Hydraulik-Brattvaag W10-M 12.5 ton SWL 7m/min
Shark Jaws	Hydraulic 30 ton SWL
Stern Roller	300 mm, 30 ton SWL

# Nautical & Communication Equipment GMDSS A2

Searchlight	2 x Persch 1000W
Radar	JRC FR-8050DA
Satelite compass	Furuno sc-50
Autopilot	Robertson AP9-MK3
DGPS	FURUNO DGPS GP-36
Electronic navigation system	TimeZero Pro
Echo sounder	FURUNO FCV-1100L
Intercom	Zentiel Phonetech CIS 3101
VHF radio telephone	2x Sailor 6222 VHF DSC
MF/HF radio telephone	JRC NCM- 2150
Handheld VHF	3x ICOM IC-M23
AIS	FURUNO FA -150
NAVTEX	FURUNO NX-700B
Wind indicator	FURUNO RD-30



MAIN DECK



UNDER MAIN DECK

